

Bolted bonnet, Swing type. For Horizontal or Vertical lines,
Renewable seat ring, Flanged ends. Butt-weld ends.

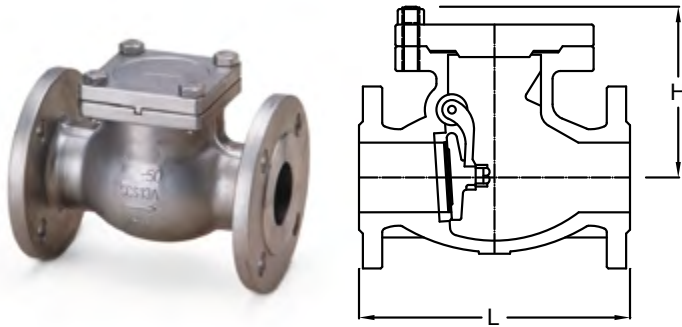
Flanged ends to PN10 or PN16 are available when required.

Applicable Class 10K Standards

Shell Wall Thickness ANSI B16.34
Face to Face, JIS B2002
End Flanges, JIS B2210

Test Pressure: (Per API 598 standards)

Shell 20 kg/cm² (Water)
Seat 15 kg/cm² (Water)
6 kg/cm² (Air)



Dimension

mm

Size	inch	1/2	3/4	1	1.1/2	2	2.1/2	3	4	5	6	8	10	12	14
	mm	15	20	25	40	50	65	80	100	125	150	200	250	300	350
L End to end		108	117	127	165	203	216	241	292	330	356	495	622	699	787
H Height		57	58	68	80	102	120	125	168	178	200	235	350	380	430

Material	23	JIS 10K	JIS 10K
	Model	SS304-14E	SS316-16E
1	Body	SCS 13	SCS 14
2	Bonnet	SCS 13	SCS 14
3	Disc	SCS 13	SCS 14
4	Disc Nut	SUS 304	SUS 316
5	Bonnet Bolt/Nut	SUS 304	SUS 304
6	Arm	SCS 13	SCS 14
7	Gasket	PTFE / GRAPHITE	
8	Plug	SUS 304	SUS 316

STAINLESS STEEL SWING CHECK VALVE ANSI 150

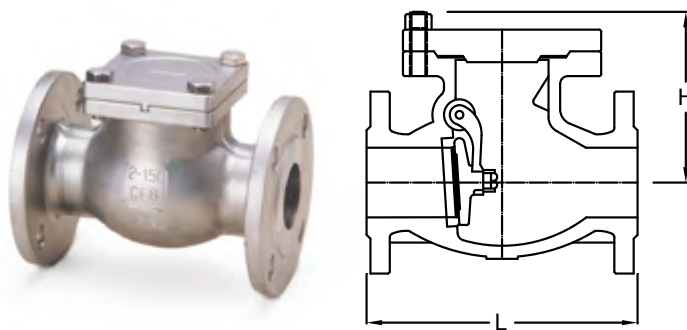
Bolted bonnet, Swing type. For Horizontal or Vertical lines,
Renewable seat ring, Flanged ends. Butt-weld ends.

Applicable Class 150 Standards: ANSI B16.34

Shell Wall Thickness ANSI B16.34
Face to Face, ANSI B16.10
End Flanges, ANSI B16.5

Test Pressure: (Per API 598 standards)

Shell 450 psi (32 kg/cm²) (Water)
Seat 314 psi (22 kg/cm²) (Water)
80 psi (6 kg/cm²) (Air)



Dimension

mm

Size	inch	1/2	3/4	1	1.1/2	2	2.1/2	3	4	5	6	8	10	12	14
	mm	15	20	25	40	50	65	80	100	125	150	200	250	300	350
L End to end		108	117	127	165	203	216	241	292	330	356	495	622	699	787
H Height		57	58	68	80	102	120	125	168	178	200	235	350	380	430

Material	23	ANSI 150	ANSI 150
	Model	SS304-54E	SS316-56E
1	Body	A351-CF8	A351-CF8M
2	Bonnet	A351-CF8	A351-CF8M
3	Disc	A351-CF8	A351-CF8M
4	Disc Nut	A351-CF8	A351-CF8M
5	Bonnet Bolt/Nut	A276-304	A276-304
6	Arm	A351-CF8	A351-CF8M
7	Gasket	PTFE	
8	Plug	A351-CF8	A351-CF8M