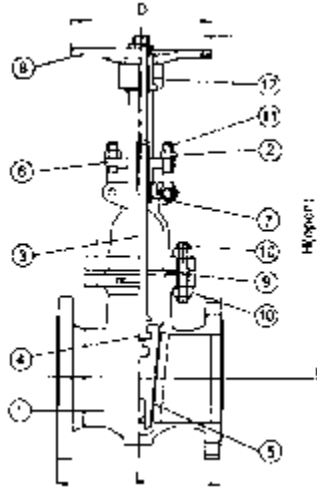


Bolted bonnet, Outside screwed and yoke,
Flexible wedge for 2.1/2"-16", Rising stem,
Non-Rising Handwheel, Integral Seat Ring.
Flanged ends. Butt-welding ends.



Applicable Class 10K Standards

Shell Wall Thickness ANSI B16.34
Face to Face, JIS B2002
End Flanges, JIS B2210
Basic Design API 603

Test Pressure: (Per API 598 standards)

Shell 20 kg/cm² (Water)
Seat 15 kg/cm² (Water)
6 kg/cm² (Air)

Dimension

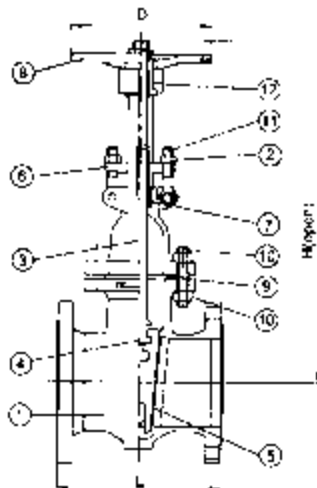
mm

Size	inch	1/2	3/4	1	1.1/2	2	2.1/2	3	4	5	6	8	10	12	14	16
	mm	15	20	25	40	50	65	80	100	125	150	200	250	300	350	400
L End to end		108	117	127	165	178	190	203	229	254	267	292	330	356	381	406
H Height		205	209	225	288	340	398	490	577	695	770	990	1115	1385	1600	1700
D Handle		100	100	120	170	170	170	189	222	290	290	350	400	400	500	500

Material	18	JIS 10K	JIS 10K
Model		SS304-14Y	SS316-16Y
1 Body		SCS 13	SCS 14
2 Bonnet		SCS 13	SCS 14
3 Stem		SUS 304	SUS 316
4 Seat Ring		WELDED SS 304	
5 Disc		SCS 13	SCS 14
6 Gland		SCS 13	SCS 14
7 Gland Packing		PTFE / GRAPHITE	
8 Hand Wheel		DUCTILE IRON	
9 Gasket		PTFE / GRAPHITE	
10 Bonnet Bolt/Nut		A193-B8 / A194-8	
11 Gland Bolt/Nut		A193-B8 / A194-8	
12 Yoke Sleeve		BRONZE	

STAINLESS STEEL GATE VALVE ANSI 150

Bolted bonnet, Outside screwed and yoke,
Flexible wedge for 2.1/2"-16", Rising stem,
Non-Rising Handwheel, Integral Seat Rings.
Flanged ends. Butt-welding ends.



Applicable Class 150 Standards: ANSI B16.34

Shell Wall Thickness ANSI B16.34
Face to Face, ANSI B16.10
End Flanges, ANSI B16.5
Basic Design API 603

Test Pressure: (Per API 598 standards)

Shell 450 psi (32 kg/cm²) (Water)
Seat 314 psi (22 kg/cm²) (Water)
80 psi (6 kg/cm²) (Air)

Dimension

mm

Size	inch	1/2	3/4	1	1.1/2	2	2.1/2	3	4	5	6	8	10	12	14	16
	mm	15	20	25	40	50	65	80	100	125	150	200	250	300	350	400
L End to end		108	117	127	165	178	190	203	229	254	267	292	330	356	381	406
H Height		205	209	225	288	340	398	490	577	695	770	990	1115	1385	1600	1700
D Handle		100	100	120	170	170	170	189	222	290	290	350	400	400	500	500

Material	18	ANSI 150	ANSI 150
Model		SS304-54Y	SS316-56Y
1 Body		A351-CF8	A351-CF8M
2 Bonnet		A351-CF8	A351-CF8M
3 Stem		AISI 304	AISI 316
4 Seat Ring		WELDED SS 304	
5 Disc		A351-CF8	A351-CF8M
6 Gland		A351-CF8	A351-CF8M
7 Gland Packing		PTFE / GRAPHITE	
8 Hand Wheel		DUCTILE IRON	
9 Gasket		PTFE / GRAPHITE	
10 Bonnet Bolt/Nut		ASTM A194-B8 AISI 304	
11 Gland Bolt/Nut		ASTM A194-B8 AISI 304	
12 Yoke Sleeve		BRONZE	