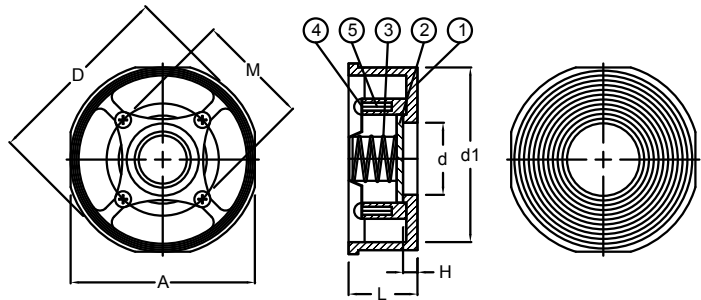


- * Please name the model No. (VWC/VWC-304) when negotiation.
- * Investment Casting Body.
- * Trim in AISI 316 or AISI 304.
- * Available design for 5"-12" when requested.
- * No Screw Design.



Dimension

mm

Size	inch	1/2	3/4	1	1.1/4	1.1/2	2	2.1/2	3	4
	mm	15	20	25	32	40	50	65	80	100
d		15	20	25.4	30	38	47	62.5	77	96
d1		43	53	63	75	86	96	115	130	151
A		45	55	65	78	88	98	118	134	154
D		53	63	73	84	94	107	126	144	164
L		16.5	19.5	22	28	32	40	46	50	60
M		27.7	34.2	39.4	43.7	54.0	63.5	82.8	98.8	119.8
H		4.4	4.8	5.4	6.0	6.6	7.1	7.8	8.4	9.0

Material

	Model	VWC	VWC-304
1	Body	CF8M	CF8
2	Disc	CF8M	CF8
3	Spring	AISI 316	AISI 316
4	Cap	AISI 304	AISI 304
5	Screw	AISI 304	AISI 304

ST.ST.316 1-PC WAFER DISC CHECK VALVE PN40

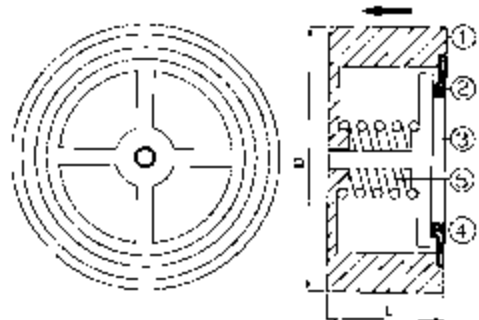
- * Please name the model No. (VWC-1) when negotiation.
- * Investment Casting Body 1.4408 PN40
- * Trim in AISI 316
- * No Screw Design



Size: 1/2" ~ 4"



Size: 5" ~ 12"



Material

	Model	VWC-1
1	Body	CF8, CF8M
2	Cover	CF8, CF8M
3	Disc	CF8, CF8M
4	Seat	CF8, CF8M
5	Spring	SUS316

Dimension

mm

Size	inch	1/2	3/4	1	1.1/4	1.1/2	2	2.1/2	3	4	5	6	8	10	12
	mm	15	15	20	25	32	40	65	80	100	125	150	200	250	300
L		15	19	22	28	33	40	46	50	60	90	106	140	150	160
D		54	63	73	84	88	106	123	134	158	192	215	266	345	410
Weight/kgs		0.2	0.21	0.27	0.7	0.72	1.0	2.0	2.1	3.5	8.0	12	22	35	50