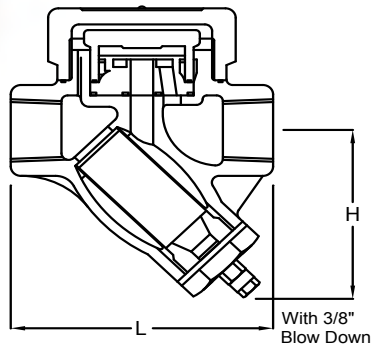




BONNET:
1/2", 3/4", 1" OCTAGON
1 1/4", 1 1/2", 2" TETRAGON



- Please name the model No. (ST-T3B) when negotiation.
- Thread: BS21, ANSI B2.1 or DIN-259.
- Working Temperature: 120°C
- Max. Temperature: 220°C

- Test Pressure: Body 32 kgf/cm² (Hydrostatic)
- Working Pressure: 0.3 kgf/cm² - 16 kgf/cm²

Material

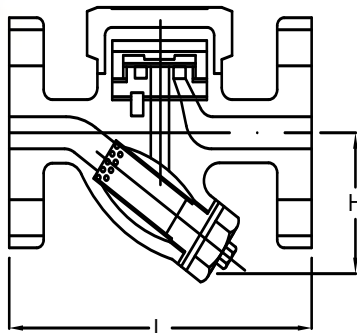
Model	ST-T3B
Body	IRON
Bonnet/Plug	IRON
Seat	SS 410
Disc	SS 304
Seal	PTFE
Packing	PTFE
Screen	SS 304
Blow Plug	SS 410

Dimension		mm							Capacity											kgf/H	
Size	inch	1/2	3/4	1	1.1/4	1.1/2	2	P kg/cm ²	0.3	0.6	1	2	3	4	5	6	8	10	12	14	16
		mm	15	20	25	32	40	50	15 - 25	183	220	253	300	345	385	420	450	510	570	630	690
L		97	105	112	184	187	210	32	350	410	490	620	730	820	900	960	1080	1200	1320	1440	1560
H		76	78	90	109	114	133	40	440	520	610	780	900	1000	1090	1180	1350	1500	1650	1790	1930
								50	460	560	670	850	1000	1110	1220	1320	1500	1680	1860	2030	2200

CAST IRON STEAM TRAP CLASS 16K



BONNET:
1/2", 3/4", 1" OCTAGON
1 1/4", 1 1/2", 2" TETRAGON



- Please name the model No. (ST-T3F) when negotiation.
- End Flange Dimensions: Acc. to JIS 10K or ANSI 150 LBS.
- Working Temperature: 120°C
- Max. Temperature: 220°C

- Test Pressure: Body 32 kgf/cm² (Hydrostatic)
- Working Pressure: 0.3 kgf/cm² - 16 kgf/cm²

Material

Model	ST-T3F
Body	IRON
Bonnet/Plug	IRON
Seat	SS 410
Disc	SS 304
Seal	PTFE
Packing	PTFE
Screen	SS 304

Dimension		mm							Capacity											kgf/H	
Size	inch	1/2	3/4	1	1.1/4	1.1/2	2	P kg/cm ²	0.3	0.6	1	2	3	4	5	6	8	10	12	14	16
		mm	15	20	25	32	40	50	15 - 25	183	220	253	300	345	385	420	450	510	570	630	690
L		142	160	182	244	244	268	32	350	410	490	620	730	820	900	960	1080	1200	1320	1440	1560
H		67	73	92	107	107	125	40	440	520	610	780	900	1000	1090	1180	1350	1500	1650	1790	1930
								50	460	560	670	850	1000	1110	1220	1320	1500	1680	1860	2030	2200