

- Please name the model No. (ST-8LS) when negotiation.
- Thread: BS21, ANSI B2.1 or DIN-259.
- Working Temperature: 120°C
- Max. Temperature: 220°C

- Test Pressure: Body 32 kgf/cm<sup>2</sup> (Hydrostatic)
- Working Pressure: 0.3 kgf/cm<sup>2</sup> - 16 kgf/cm<sup>2</sup>

**Material**

<b>Model</b>	<b>ST-8LS</b>
<b>Body</b>	IRON
<b>Bonnet/Plug</b>	IRON
<b>Seat</b>	SS 410
<b>Disc</b>	SS 304
<b>Seal</b>	PTFE
<b>Packing</b>	PTFE
<b>Screen</b>	SS 304

**Dimension**

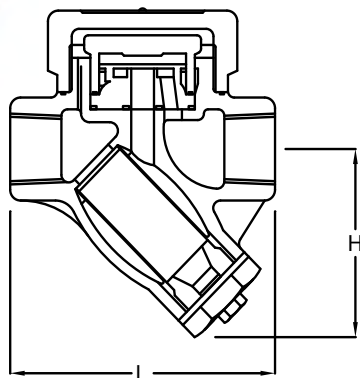
Size	inch	1/2	3/4	1
	mm	15	20	25
<b>L</b>		95	105	110
<b>H</b>		56	65	70

**Capacity**

P kg/cm <sup>2</sup>	Capacity															
	0.3	0.6	1	2	3	4	5	6	8	10	12	14	16			
<b>15</b>	160	205	250	320	380	420	460	490	540	590	630	660	690			
<b>20</b>	230	295	360	460	530	590	640	690	770	840	900	960	1000			
<b>25</b>	290	380	460	590	680	760	820	880	980	1060	1130	1200	1260			

**kgf/H**

**CAST IRON STEAM TRAP CLASS 16K**



- Please name the model No. (ST-T3A) when negotiation.
- Thread: BS21, ANSI B2.1 or DIN-259.
- Working Temperature: 120°C
- Max. Temperature: 220°C

- Test Pressure: Body 32 kgf/cm<sup>2</sup> (Hydrostatic)
- Working Pressure: 0.3 kgf/cm<sup>2</sup> - 16 kgf/cm<sup>2</sup>

**Material**

<b>Model</b>	<b>ST-T3A</b>
<b>Body</b>	IRON
<b>Bonnet/Plug</b>	IRON
<b>Seat</b>	SS 410
<b>Disc</b>	SS 304
<b>Seal</b>	PTFE
<b>Packing</b>	PTFE
<b>Screen</b>	SS 304

**BONNET:**

1/2", 3/4", 1" OCTAGON  
1 1/4", 1 1/2", 2" TETRAGON

**Dimension**

Size	inch	1/2	3/4	1	1.1/4	1.1/2	2
	mm	15	20	25	32	40	50
<b>L</b>		97	105	112	184	187	201
<b>H</b>		67	75	90	105	110	130

**mm**

**Capacity**

P kg/cm <sup>2</sup>	Capacity															
	0.3	0.6	1	2	3	4	5	6	8	10	12	14	16			
<b>15 - 25</b>	183	220	253	300	345	385	420	450	510	570	630	690	740			
<b>32</b>	350	410	490	620	730	820	900	960	1080	1200	1320	1440	1560			
<b>40</b>	440	520	610	780	900	1000	1090	1180	1350	1500	1650	1790	1930			
<b>50</b>	460	560	670	850	1000	1110	1220	1320	1500	1680	1860	2030	2200			

**kgf/H**