

- * Face to Face Dimensions: JIS B2002.
- * End Flanged Dimensions: JIS B2220
- * Blow-Out Proof Stem / Full Port.
- * Lever Operated or Gear Operated.
- * With ISO5211 Mounting Pad or Gland Type.
- * PTFE +15%GF or +25%GF for Seat when required.

Test Pressure: JIS B2003

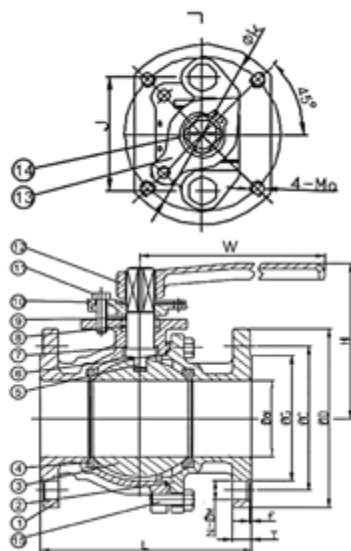
Body : 2.1MPa / 21.5 kg/cm² (Hydrostatic)
 Seat : 1.6MPa / 16.5 kg/cm² (By Water)
 0.6MPa / 6 kg/cm² (By Air)

Dimension * Design: ANSI 16.34

Size	inch	1/2	3/4	1	1.1/4	1.1/2	2	2.1/2	3	4	5	6	8	10	12
	mm	15	20	25	32	40	50	65	80	100	125	150	200	250	300
Bore Size d		15	20	25	32	40	50	65	80	100	125	150	200	250	300
D		95	100	125	135	140	155	175	185	210	250	280	330	400	445
L		110	120	130	140	165	180	190	200	230	300	340	450	530	610
H		92	98	103	107	112	122	151	161	175	224	247	305	327	355
W		160	160	160	160	230	230	350	350	350	750	750	1000	1000	1000
Torque kgf/cm		43	58	85	140	160	210	350	520	700	2500	3000	3800	5100	6200

Model	BV-13F	BV-17F	BV-34F	BV-36F
Body	FC 20	WCB	SCS13	SCS14
Cap	FC 20	WCB	SCS13	SCS14
Ball	SCS13	SCS13	SCS13	SCS14
Seat	PTFE			
Stem	SUS304	SUS304	SUS304	SUS316
Gasket	PTFE			
Thrust Washer	PTFE			
Packing	PTFE			
Stem Packing	PTFE			
Gland	SS41	SCS13		
Gland Bolt	S41C	C.S.	SUS304	
Handle	FC			
Stopper	SS304			
Snap Ring	SS304			
Bolt	S41C	C.S.	SUS304	

2-PC BALL VALVE FLANGED END TO ANSI CLASS 150



- * Face to Face Flanged acc. to ANSI B16.10
- * End Flanged Acc. to ANSI B16.5
- * Blow-Out Proof Stem / Full Port.
- * Lever Operated (15mm to 250mm).
- * Gear Operated (Option) (300mm to 350mm).
- * With ISO5211 Mounting Pad.
- * PTFE +15%GF or +25%GF for Seat when required.

Test Pressure: API 598

Body : 450 PSI / 32 kg/cm² (Hydrostatic)
 Seat : 315 PSI / 22 kg/cm² (By Water).
 85 PSI / 6 kg/cm² (By Air)

Dimension * Design: ANSI 16.34

Size	inch	1/2	3/4	1	1.1/4	1.1/2	2	2.1/2	3	4	5	6	8	10	12
	mm	15	20	25	32	40	50	65	80	100	125	150	200	250	300
Bore Size d		15	20	25	32	40	50	65	80	100	125	150	200	250	300
D		89	98	108	117	127	152	178	190	229	254	279	343	406	483
L		108	117	127	140	165	178	190	203	229	356	394	457	533	610
H		92	98	103	107	112	122	151	161	175	224	247	305	327	355
W		160	160	160	160	230	230	350	350	350	750	750	1000	1000	1000
Torque kgf/cm		43	58	85	140	160	210	350	520	700	2500	3000	3800	5100	6200

Model	BV-23F	BV-27F	BV-44F	BV-46F
Body	FC 20	WCB	CF8	CF8M
Cap	FC 20	WCB	CF8	CF8M
Ball	CF8	CF8	CF8	CF8M
Seat	PTFE	PTFE	PTFE	PTFE
Stem	SUS304	SUS304	SUS304	SUS316
Gasket	PTFE			
Thrust Washer	PTFE			
Packing	PTFE			
Stem Packing	PTFE			
Gland	SS41	CF8		
Gland Bolt	S41C	C.S.	SUS304	
Handle	FC			
Stopper	SS304			
Snap Ring	SS304			
Bolt	S41C	C.S.	SUS304	