

CLASS 125 /PN 16 /JIS 10K Flange Type Swing Check Valve

Fig. SCCV5101

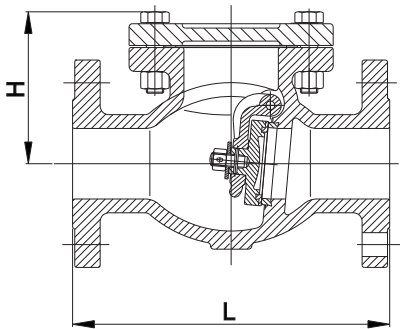


Valve Standard :

Comply with EN 12334(BS 5153) & MSS SP-71

Pressure Temperature Ratings

Working pressure	16bar
Testing Pressure	Shell:24bar
	Seal:17.6bar
Working Temperature	-10°C to 120°C
Suitable Media	Water,Oil&Gas



Material Specification

Part	Material	ASTM Spec.
Body	Cast Iron	A126 Class B
Disc	Cast Iron	A126 Class B
Seat Ring	Bronze	B62 C83600
Disc Ring	Bronze	B62 C83600

Dimensions

DN	mm	50	65	80	100	125	150	200	250	300	350	400	450	500	600
	inch	2	2-1/2	3	4	5	6	8	10	12	14	16	18	20	24
L		203	216	241	292	330	356	495	622	699	787	914	914	1016	1219
H		112	132	141	162	192	211	270	316	357	560	589	645	702	812