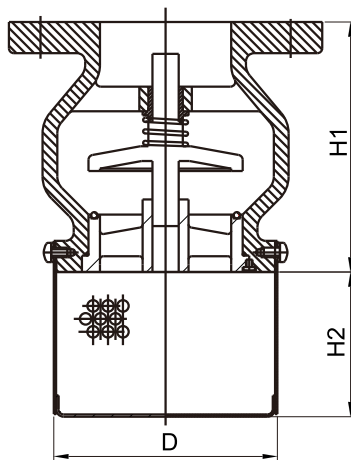


Fig. 1120



**Pressure Temperature Ratings**

|                     |                      |
|---------------------|----------------------|
| Working pressure    | 16bar/25bar          |
| Testing Pressure    | Shell:24bar/37.5bar  |
|                     | Seal:17.6bar/27.5bar |
| Working Temperature | -20°C to 110 °C EPDM |
|                     | -10°C to 80 °C NBR   |
| Suitable Media      | Water,Oil&Gas        |

**Material Specification**

| Part      | Material        | ASTM Spec.    |
|-----------|-----------------|---------------|
| Body      | Cast Iron       | A126 Class B  |
|           | Ductile Iron    | A536 65-45-12 |
| Disc      | Stainless Steel | A351 CF8      |
|           | Bronze          | B62 C83600    |
|           | Ductile Iron    | A536 65-45-12 |
| Seat      | Stainless Steel | A351 CF8      |
|           | Bronze          | B62 C83600    |
| Seat Ring | EPDM / NBR      | Commercial    |
| Bushing   | Bronze          | B62 C83600    |
| Spring    | Stainless Steel | AISI 304      |
| Screen    | Stainless Steel | AISI 304      |

**Note :**  
DI Body For PN16&Class 250

**Dimensions**

| DN | mm   | 50  | 65    | 80  | 100 | 125 | 150 | 200 | 250 | 300 | 350 | 400 | 450 | 500 | 600 |
|----|------|-----|-------|-----|-----|-----|-----|-----|-----|-----|-----|-----|-----|-----|-----|
|    | inch | 2   | 2-1/2 | 3   | 4   | 5   | 6   | 8   | 10  | 12  | 14  | 16  | 18  | 20  | 24  |
| H1 |      | 133 | 140   | 152 | 185 | 216 | 229 | 257 | 393 | 362 | 400 | 448 | 476 | 524 | 610 |
| H2 |      | 68  | 93    | 108 | 138 | 163 | 189 | 208 | 238 | 260 | 270 | 290 | 315 | 340 | 365 |
| D  |      | 114 | 130   | 144 | 177 | 203 | 237 | 290 | 330 | 383 | 470 | 516 | 570 | 630 | 740 |