

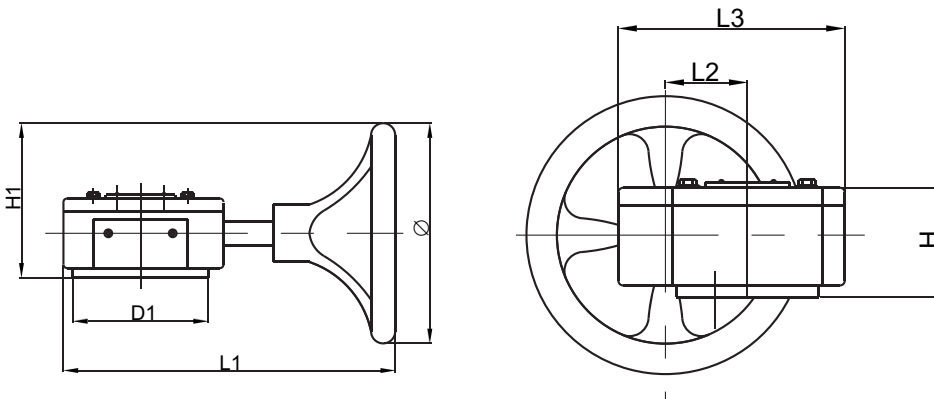
## Gear Box

1-Stage Transmission



### Material Specification

Part	Material
Housing	Cast Iron
Cover	Cast Iron
Worm	Carbon Steel
Worm Gear	Ductile Iron
Shaft	Carbon Steel
Handwheel	Cast Iron



### Dimensions

Model	Valve Type		Dimensions								Performance	
	Concentric Valve Size inch mm	Eccentric Valve Size inch mm	D1	Ø	H	H1	L1	L2	L3	Output Torque (N. M)	Rate	
3D-15	2-6	2-5	108	145	65	113	212	45	129	200	24:1	
	50-150	50-125										
3D-50	8-10	6-8	146	285	70	182	305	62	171	500	30:1	
	200-250	150-200										
3D-120	12-14	10-12	165	285	77	182	300	85	198	1200	50:1	
	300-350	250-300										
XJ80	16-18	14-16	234	385	103	247	423	120	280	2500	80:1	
	400-450	350-400										
XJ300	20-24	18-20	276	385	143	270	490	122	316	4000	293.5:1	
	500-600	450-500										