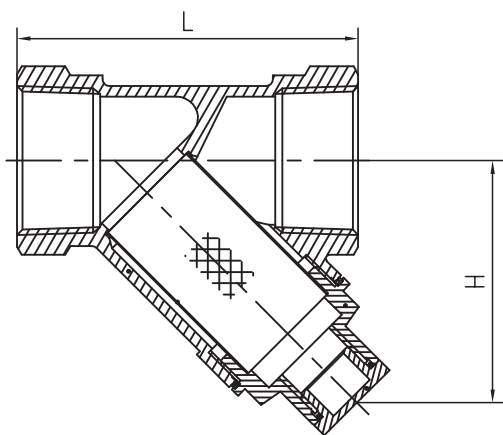


CLASS 150

Bronze Y - Strainer (Threaded)

Fig. 7654



Specification

Y-Pattern Body • Screwed Cap With Plug
 Stainless Steel 304 Screen • Asbestos Free
 Threaded to BS 21 (ISO7) / ASME B1.20.1
 Size Range: 15mm(1/2")~80mm(3")

Pressure Ratings

Working Pressure	300 psi (20.7 bar) WOG Non-Shock 150 psi (10.3 bar) Saturated Steam
Testing Pressure	450 psi (31 bar) Hydrostatic 80 psi (5.5 bar) Air
Suitable Media	Water, Oil, Gas

Material List

Part Name	Material	ASTM	BS
Body	Bronze (Gunmetal)	B62 C83600	1400 LG2
Cap	Bronze (Gunmetal)	B62 C83600	1400 LG2
Plug	Brass	B124 C38800	2874 CZ122
Screen	Stainless Steel 304	A240 304	1449 304S31
Gasket	Non-Asbestos Steet		

Standard Screens

Size	Hole Diameter		Free Flow Area	
	mm	inch		inch ²
15-80	1/2~3	1.4 X 1.2	0.06 X 0.05	225

Dimension

DN	mm	15	20	25	32	40	50	65	80
	Inch	1/2	3/4	1	1-1/4	1-1/2	2	2-1/2	3
L		58	70	88	96	107	126	226	255
H		50	57	61	74	80	100	121	140