

# Series 740

Bidirectional Knife Gate Valve



**Bray / VAAS®**

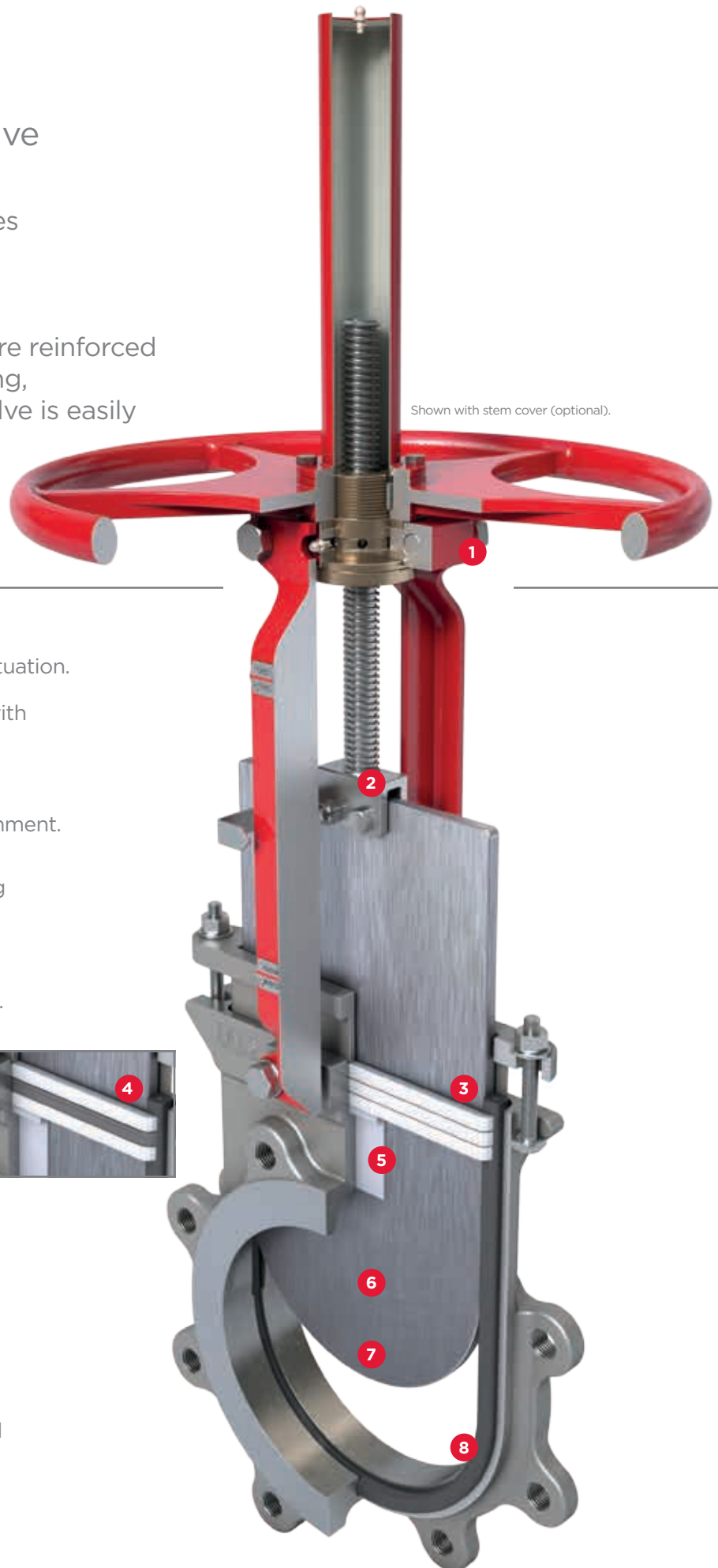
2"-24" (50-600mm) 150psi (10bar)  
30"-36" (750-900mm) 100psi (7bar)

# Series 740

## Bidirectional Knife Gate Valve

The Bray/VAAS Series 740 provides repeatable bidirectional shutoff in a rugged, one-piece cast body.

Featuring a replaceable flexible wire reinforced elastomer seat for enhanced sealing, the Bray/VAAS Series 740 gate valve is easily automated for on/off applications.



**1** Designed for easy, quick conversion between manual and pneumatic actuation. Featuring a lubricant injection port for continuous, smooth operation with minimal maintenance.

**2** Clevis design and horizontal bolting stabilizes gate ensuring proper alignment.

**3** Standard multi-layer square packing provides exceptional gland sealing.

**4** Optional energized quad seal packing for enhanced gland sealing.

**5** Wiper/Anti Extrusion Ring minimizes the gap between the body and the gate.

**6** Unrestricted flow path with minimal pressure drop achieved through full port valve design.

**7** Deflection resistant gate design ensures consistent alignment for industry leading durability.

**8** Replaceable flexible wire reinforced elastomer seat ensures bidirectional zero leakage shutoff.

## Standard Construction

Body	Gate	Seat	Stem	Gland	Packing	Topworks
CF8	304	Buna-N	304	304	PTFE impregnated synthetic fiber	Steel
CF8M	316	Buna-N	304	304	PTFE impregnated synthetic fiber	Steel
WCB	304	Buna-N	304	WCB	PTFE impregnated synthetic fiber	Steel

## Body Options

CF3M Stainless Steel
SAF 2205 Duplex
SAF 2507 Duplex
Ductile Iron

Additional material options may be available upon request. Consult factory for availability.

## Gate Options

316, 317 Stainless Steel
SAF 2507 Duplex
SAF 2205 Duplex
17-4PH Stainless Steel
Hastelloy® C
Monel®

## Seat Options

Buna-N	-35°-194°F/-37°-90°C
EPDM	-65°-248°F/-54°-120°C
Viton®	-15°-392°F/-26°-200°C

## Actuator Options

Direct Mounted
Handwheel - Standard (2"-14")
Bevel Gear - Standard (16"-24")
Pneumatic
Hydraulic
Electric

## Packing Options

PTFE impregnated synthetic fiber	232°C/450°F
PTFE w/Buna-N Quad Seal	90°C/194°F
PTFE w/Viton® Quad Seal	200°C/392°F

## Specifications & Standards

Size Range	2"-36" (50-900mm)
Pressure Rating	Up to 24" (600mm) 150psi (10bar) 30"-36" (750-900mm) 100psi (7bar)
Body Style	One-piece (Wafer, Lug)

Design	MSS SP-81
Testing	MSS SP-81
Face-to-face	MSS SP-81
Certification	Canadian CRN
Drilling*	ASME B16.5 CL150, ASME B16.47 CL150

\*Additional drilling options available. Consult factory for availability.

## Dimensions

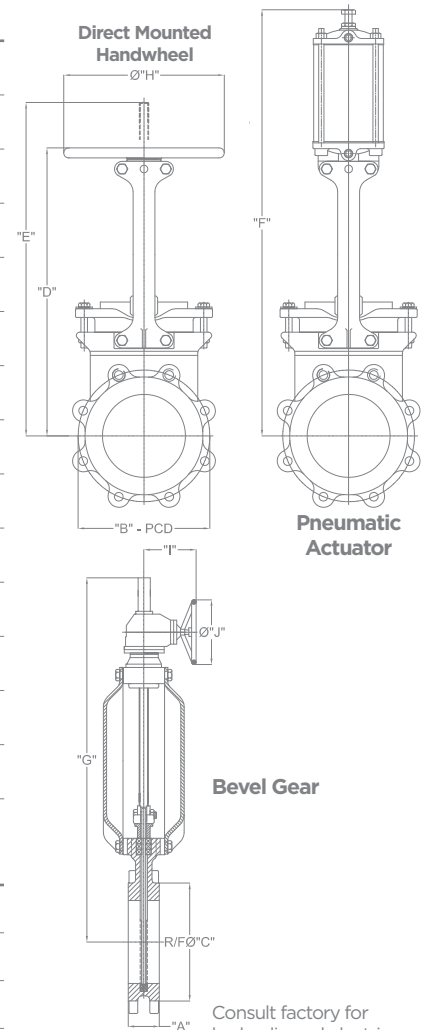
In. mm	A	B	C	D	E	F	G	H	I	J
<b>2</b> <b>50</b>	1.89 48	4.76 121	3.62 92	14.32 364	15.18 386	19.22 488	--	10.00 254	--	--
<b>3</b> <b>80</b>	2.01 51	6.00 152	5.00 127	16.75 425	18.60 473	22.68 576	--	10.00 254	--	--
<b>4</b> <b>100</b>	2.01 51	7.50 191	6.18 157	18.56 471	21.54 547	25.49 648	--	10.00 254	--	--
<b>5</b> <b>125</b>	2.24 57	8.50 216	7.32 186	20.86 530	24.78 630	29.85 758	--	11.75 299	--	--
<b>6</b> <b>150</b>	2.24 57	9.53 242	8.50 216	22.32 567	26.77 680	32.56 827	26.26 667	11.75 299	11.65 296	20.00 508
<b>8</b> <b>200</b>	2.76 70	11.77 299	10.63 270	24.68 627	33.52 852	39.28 998	31.10 790	15.98 406	11.65 296	20.00 508
<b>10</b> <b>250</b>	2.76 70	14.25 362	12.76 324	25.75 756	40.31 1024	46.79 1188	37.56 954	15.98 406	11.65 296	20.00 508
<b>12</b> <b>300</b>	2.99 76	17.01 432	14.76 375	33.41 849	46.52 1182	53.75 1365	44.33 1126	20.00 508	12.05 306	20.00 508
<b>14</b> <b>350</b>	2.99 76	18.74 476	16.26 413	37.60 942	52.03 1322	58.81 1494	49.96 1269	20.00 508	12.05 306	20.00 508
<b>16</b> <b>400</b>	3.50 89	21.26 540	18.50 470	--	--	64.49 1638	54.21 1377	--	12.05 306	20.00 508
<b>18</b> <b>450</b>	3.50 89	22.76 578	21.02 534	--	--	74.20 1885	61.81 1570	--	12.05 306	20.00 508
<b>20</b> <b>500</b>	4.49 114	25.00 635	22.99 584	--	--	81.08 2060	67.76 1721	--	12.05 306	20.00 508
<b>24</b> <b>600</b>	4.49 114	29.53 750	27.24 692	--	--	92.58 2352	79.57 2021	--	12.05 306	20.00 508

Dimensions are approximate and subject to change. Consult factory for certified drawings.

## Weights

Size	in mm	2 50	3 80	4 100	5 125	6 150	8 200	10 250	12 300	14 350	16 400	18 450	20 500	24 600
HANDWHEEL	lb	20	33	35	53	57	82	121	185	269	--	--	--	--
	kg	9	15	16	24	26	37	55	84	122	--	--	--	--
PNEUMATIC ACTUATOR	lb	40	44	57	84	93	130	231	335	436	540	644	853	1063
	kg	18	20	26	38	42	59	105	152	198	245	292	387	482
GEAR OPERATOR	lb	--	--	--	--	--	115	196	225	304	401	523	666	1025
	kg	--	--	--	--	--	52	89	102	138	182	237	302	465

Approximate weights shown. Consult factory for additional configurations.



**Bray International, Inc.**  
Houston, TX, USA +281.894.5454

**Bray/VAAS India**  
Chennai +91.44.2496.1391

**Benelux**  
Heerhugowaard +31.72.572.1410

**Brazil**  
Paulinia Sp-Brazil +55.19.3517.6161

**Canada**  
Montréal +514.344.2729

**Chile**  
Santiago +56.2739.2966

**China**  
Hangzhou, Zhejiang +86.571.828.52200

**Colombia**  
Bogota +571.876.6084

**France**  
Maubeuge +0033.3.27.59.41.89

**Germany**  
Krefeld +49.2151.53360

**India**  
Gujarat +91.2667.664444

**Italy**  
Milano +39.02.9237.0196

**Mexico**  
Zapopan, Jalisco +52.33.3836.4460

**Middle East**  
Dubai +00971.0.4.887.6979

**Pacific**  
Melbourne, Australia +613.9580.9755

**Peru**  
Lima +511.251.0251

**Poland**  
Oswiecim +48.33.842.1968

**Russia**  
Moscow +7.495.36.36.222

**Singapore**  
Ubi Techpark +65.6742.1428

**South Africa**  
Sandton +27.10.007.3222

**South Korea**  
Seoul +82.2.2190.3809

**United Kingdom**  
Inchinnan +44.141.812.5199



To find a distributor in your area visit us online at [www.bray.com](http://www.bray.com)

All statements, technical information, and recommendations in this bulletin are for general use only. Consult Bray/VAAS representatives or factory for the specific requirements and material selection for your intended application. The right to change or modify product design or product without prior notice is reserved. Patents issued and applied for worldwide.  
Bray® is a registered trademark of BRAY INTERNATIONAL, Inc. © 2015 Bray International. All rights reserved. V-6000\_EL\_740\_05-2017